

Universal-Clamp

GS Rail System with Click-in Technology

GS Universal Clamp

Article No. UC-GS

Product properties

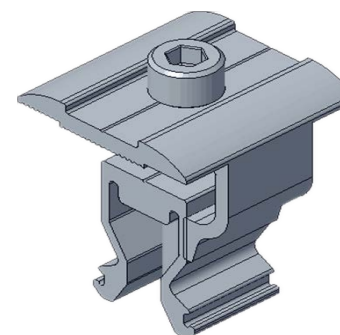
Material	AL6005-T5 and SUS304
Dimensions	40x40 mm
Weight	0.070 kg
Colour	Mill or Black
Pre-assembled	Yes

Application properties

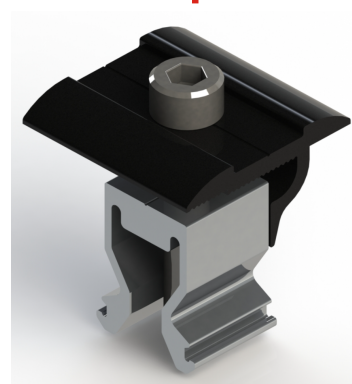
Function	Mid and End Clamp
Max. fastening torque	14.5 Nm
Clamping range	30 - 46 mm Panels
Type of modules	Framed Modules
Drive	Hexagon Socket M8
Can be used with Rail system	GS Rail

Package

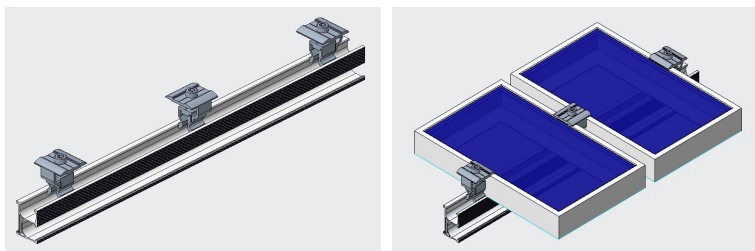
Package Detail	320 pcs/ctn
----------------	-------------



One Clamp For All



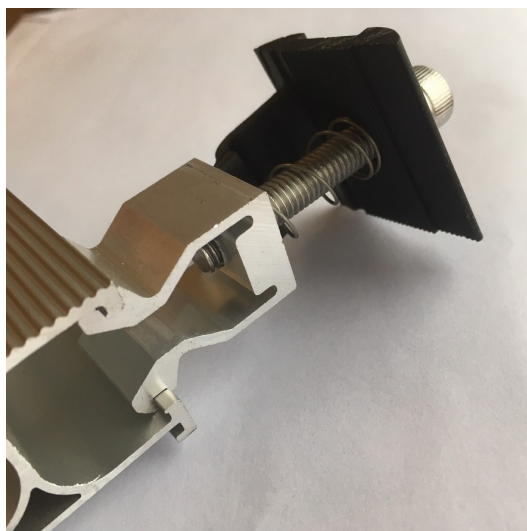
Installation



Dealer information

Fastensol Universal Clamp - Notes from an Installer

The fastensol Universal Clamp means that you only need one product for mids, ends and it fits all sizes of panel 30-46mm thick.



There is actually more to successful use than merely clipping them in. Others might find this helpful;

One benefit of the new design is that they will pop into the rail and stay (rather than dropping out while one is handling the panels)- however, do not clip in until you have the panel in place because once clipped there is no lateral movement. Press the clip right into the rail, then, once the panel is secured on the opposite side, move the clip adjacent to the panel and raise it, one side at a time to clip in to the top of the rail.

If there is a small gap between the clip and the panel it is easier to tap the clip across with a light tool (an Allen key is usually enough) than to try to move it by hand. If it is too far to tap long nose pliers can be used to unclip it - but beware too much pressure will compress the clip, in which case it can be gently parted with the same pliers.

Because there is a lot of thread to sink, a multi drill, on screw setting and highest torque, is very handy - but do finish with an Allen key turn.

Off the top plate (at 90 degrees) there is a spacer - this works best hanging downwards. If not (or on a flatter roof) it may snag the top of the clip and this can then lead to a bent/twisted clip that is of no further use. On a flatter roof it is worth screwing down part way before the next panel is placed.

Notes courtesy of
 Andy Green